

# Quick Installation Guide

version 1.0

## Wireless Managed Wall Plate Access Point

### Package Contents

- EnGenius Wall Plate Access Point
- Mounting bracket
- Bracket screws
- Quick Installation Guide

### Minimum Requirements

- A computer running Windows 7 (Procedure for other OS's are similar)
- Broadband Internet Service (Cable or DSL Modem)
- Internet Browser (Internet Explorer, Safari, Firefox, Chrome)
- EnGenius Wireless Management L2 Switch (To use with EWS Series Management Switches)
- An IEEE 802.3af/at compliant PoE injector (optional power source)
- A DC48V/0.8A power adapter (optional power source)

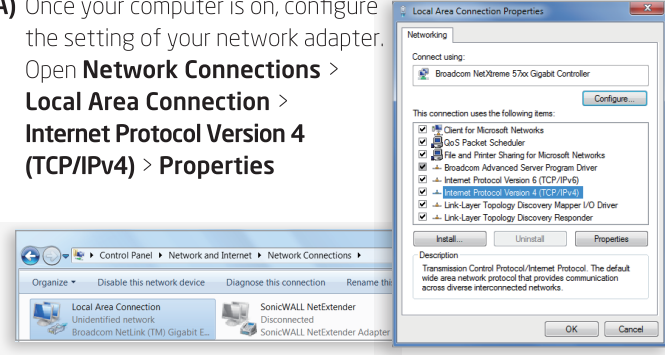
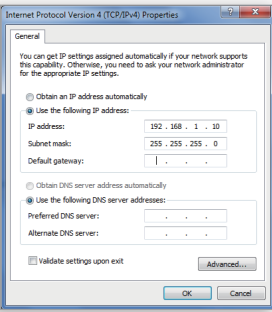
**i** If the AP is deployed with an EWS Wireless Management Switch, follow the instructions in the EWS Switch Quick Installation Guide and connect the AP to your local network.

## 1 Connecting the Access Point

- Connect one end of a **RJ45 Ethernet cable** to the **PoE In (LAN / Uplink)** port on the rear of the Access Point.
- !** DO NOT connect a PoE injector to any of the four access ports on the front as this could cause damage to the device.
- Connect the other end of the cable to a **PoE Ethernet switch** or the **PoE Out port** on the **PoE injector**.
- Using another **RJ45 Ethernet cable**, connect one end to the **Ethernet port** on the computer, and connect the other end to another port on the **PoE Ethernet switch** or to the **Data In port** on the PoE injector.
- Provide power to the **PoE Ethernet switch/injector**.
- Verify that the **Power LED** on the AP is steady **orange**.

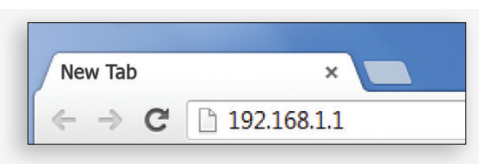
**!** The Access Point supports both **IEEE 802.3af/at PoE (Power over Ethernet)** or an **optional DC power adapter** (sold separately). You may use either one as the power source. **DO NOT use both at the same time.**

## 2 IP Address Configuration

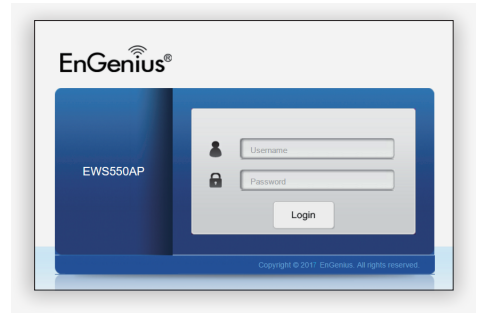
- Once your computer is on, configure the setting of your network adapter. Open **Network Connections** > **Local Area Connection** > **Internet Protocol Version 4 (TCP/IPv4)** > **Properties**
- 
- Select **Use the following IP address** and make the following entries:
    - IP Address:** 192.168.1.10 (or any address in the 192.168.1.x network)
    - Subnet mask:** 255.255.255.0
    - Default gateway:** 192.168.1.1
- 
- Click **OK** to save your changes.

## 3 Access Point Setup

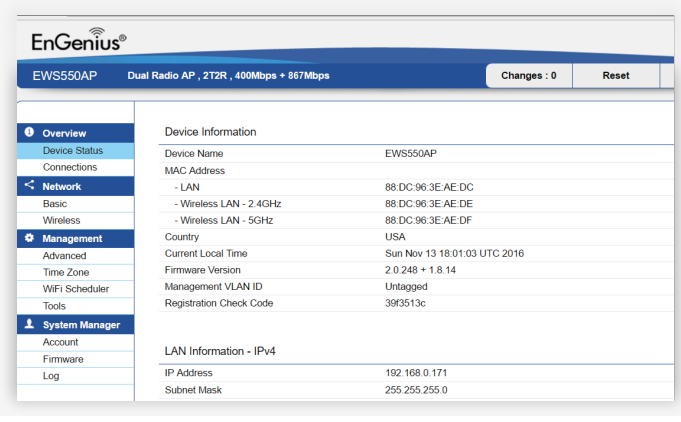
- Open a web browser on your computer. In the address bar of the web browser, enter **192.168.1.1** and **enter**.



- A login screen will appear. By default, the username of the Access Point is **admin** and the password is **admin**. Enter the current username and password of the Access Point and then click **Login**.

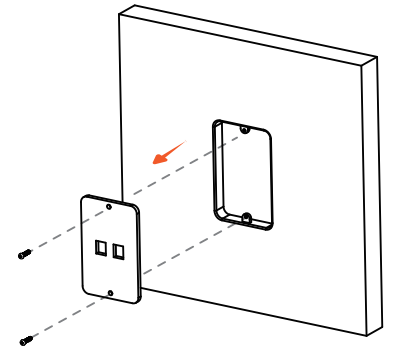
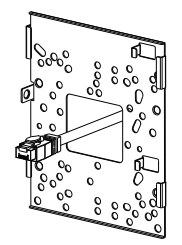


- The EnGenius Access Point User Interface will appear. This device can operate in Access Point mode.

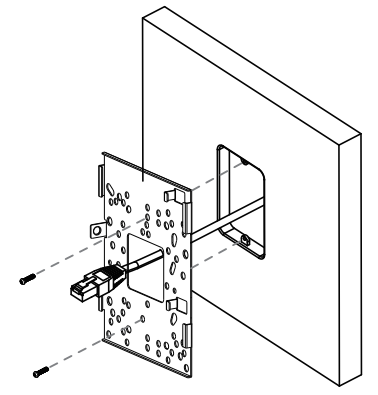


## Mounting the Access Point

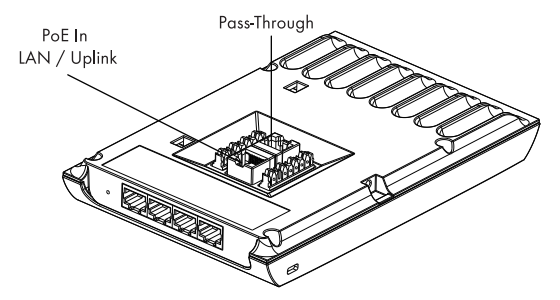
EnGenius Wall Plate AP is designed for mounting to a standard single-gang wall box.

- Remove the cover from the outlet box.
- 
- Gently pull the required cables through the center of the mounting bracket.
- 

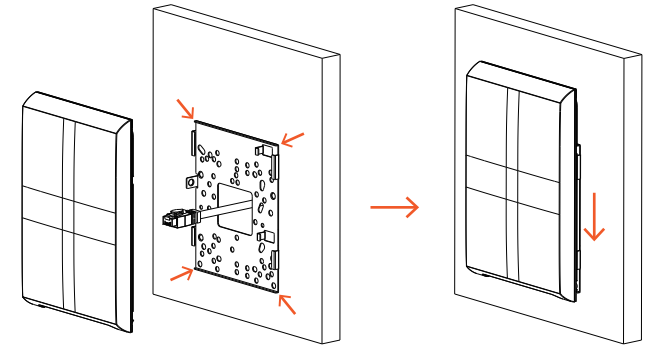
- Align the mounting bracket with the outlet box and affix the mounting bracket to the outlet box using the original cover screws.



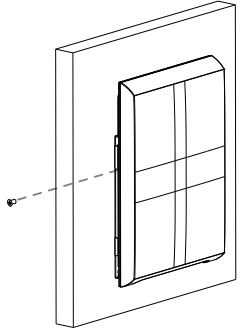
- Connect the cables to the access point before mounting to the bracket.



- Hook the two tabs on the bottom of the bracket into the slots on the bottom of the AP, and slide the AP down gently until it holds in place.



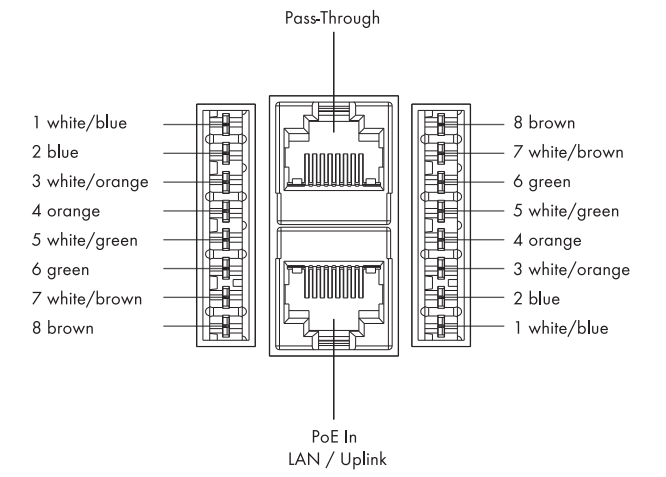
- Use the bracket screw provided to secure the AP to the bracket.



### Connecting using the 110 Punch-down Block

The 110 punch-down block can be used to connect the AP to the network instead of the RJ45 connector.

**!** DO NOT connect to both the punch-down block and the PoE In (LAN / Uplink) port to the network at a same time.



## Technical Support

Country of Purchase	Service Center	Service Information
North America www.ingeniuscanada.com	Canada	rma@ingeniuscanada.com Toll Free: (+1) 888 397 2788 Local: (+1) 905 940 8181
	Los Angeles, USA	support@ingeniustech.com Toll Free: (+1) 888 735 7888 Local: (+1) 714 432 8668
Central & South America es.ingeniustech.com pg.ingeniustech.com	Miami, USA	miamisupport@ingeniustech.com Miami: (+1) 305 887 7378 Sao Paulo, Brazil: (+55) 11 3957 0303 D.F. Mexico: (+52) 55 11663 8894
	Netherlands	support@ingeniusnetworks.eu (+31) 40 8200 887
Africa CIS Middle East Russia www.ingenius-me.com	Dubai, UAE	support@ingenius-me.com Toll Free: U.A.E.: 800-EnGenius 800-364-364-87 General: (+971) 4 357 5599
	Singapore	www.ingeniustech.com/sge_warranty_form techsupport@ingeniustech.com.sg Toll Free: Singapore: 1800 364 3648
Others www.ingeniusnetworks.com	Taiwan, R.O.C	technology@senaoo.com

## Notes

Maximum data rates are based on draft IEEE 802.11ac and IEEE 802.11 standards. Actual throughput and range may vary depending on many factors including environmental conditions, distance between devices, radio interference in the operating environment, and mix of devices in the network.

Features and specifications subject to change without notice. This device complies with Part 15 of the FCC Rules. Operation is subject to the following two conditions: (1) this device may not cause harmful interference, and (2) this device must accept any interference received, including interference that may cause undesired operation. Trademarks and registered trademarks are the property of their respective owners. For United States of America: Copyright ©2017 EnGenius Technologies, Inc. All rights reserved.